

## AUTOMATIC WATER SOFTENER

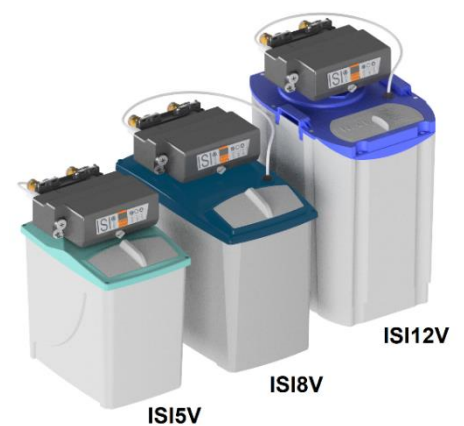
### ISI SERIES

## TECHNICAL FEATURES

The series of **ISI** water softener has important technical innovation to improve their performance.



CHRONOMETRIC WATER SOFTENERS



VOLUMETRIC WATER SOFTENERS

Its main features are:

- a Chronometric version
- a Volumetric version
- a control front panel
- plumbing connections is separated from the water softener
- in the brine there is a grid.
- and you can have the anti-flooding system as an option

## CARATTERISTICAL FEATURES

Chronometric Model		ISI5	ISI8	ISI12
Volumetric Mod		ISI5V	ISI8V	ISI12V
Width	mm	230	250	285
Depth	mm	350	450	400
Altezza Height	mm	415	440	550
Weight Peso	kg	11	12	15
Cylinder capacity	lt	5	8	12
Liters of resin	lt	3.5	5.5	9



Nominal flow rate at 4 bar: 1500 l/h  
 Room temperature : Min 4°C Max 35°C  
 Feed water temperature Min 6°C Max 25°C  
 Pressure of feed water 0.2 Mpa Min 2 bar  
 0.8 Mpa Max 8 bar  
 Power supply : Standard 230 V 50/60 Hz  
 Optional 120 V 60 Hz  
 Absorbed power 6W

LITRES OF SOFT WATER BASED ON WATER HARDNESS							Cyclic Capacity m <sup>3</sup> .of
°f	20	30	40	50	60		
°d	11	16	22	28	33		
ppm CaCO <sub>3</sub>	200	300	400	500	600		
<b>ISI5 ISI5V</b>	1050	700	525	420	350	21.0	
<b>ISI8 ISI8V</b>	1680	1120	840	672	560	33.6	
<b>ISI12 ISI12V</b>	2520	1680	1260	1008	840	50.4	



## THE VALVE 368



**Chronometric Version**

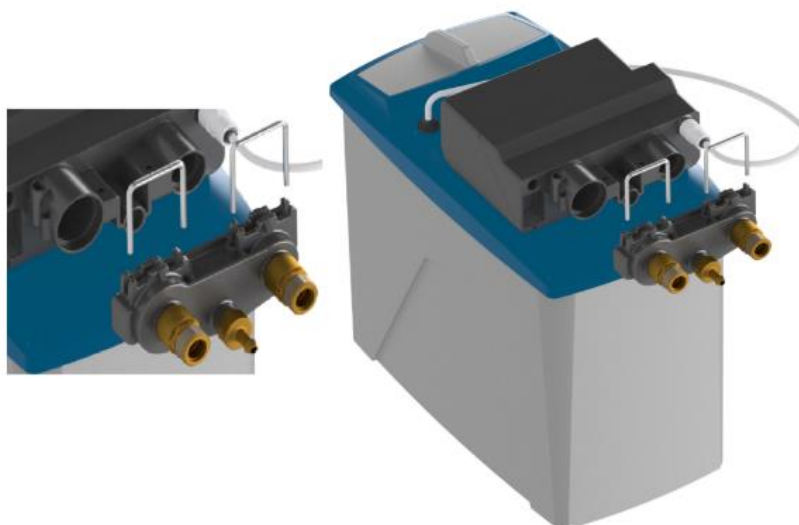


**Volumetric Version**

The line offers a Chronometric version and Volumetric version with keyboards clearer and more intuitives for the command and programming functions.

## WATER CONNECTION

It is possible to separate the water softener from the connection block, in case of maintenance, but it will be sufficient to change the connection block.



## THE BRINE TANK

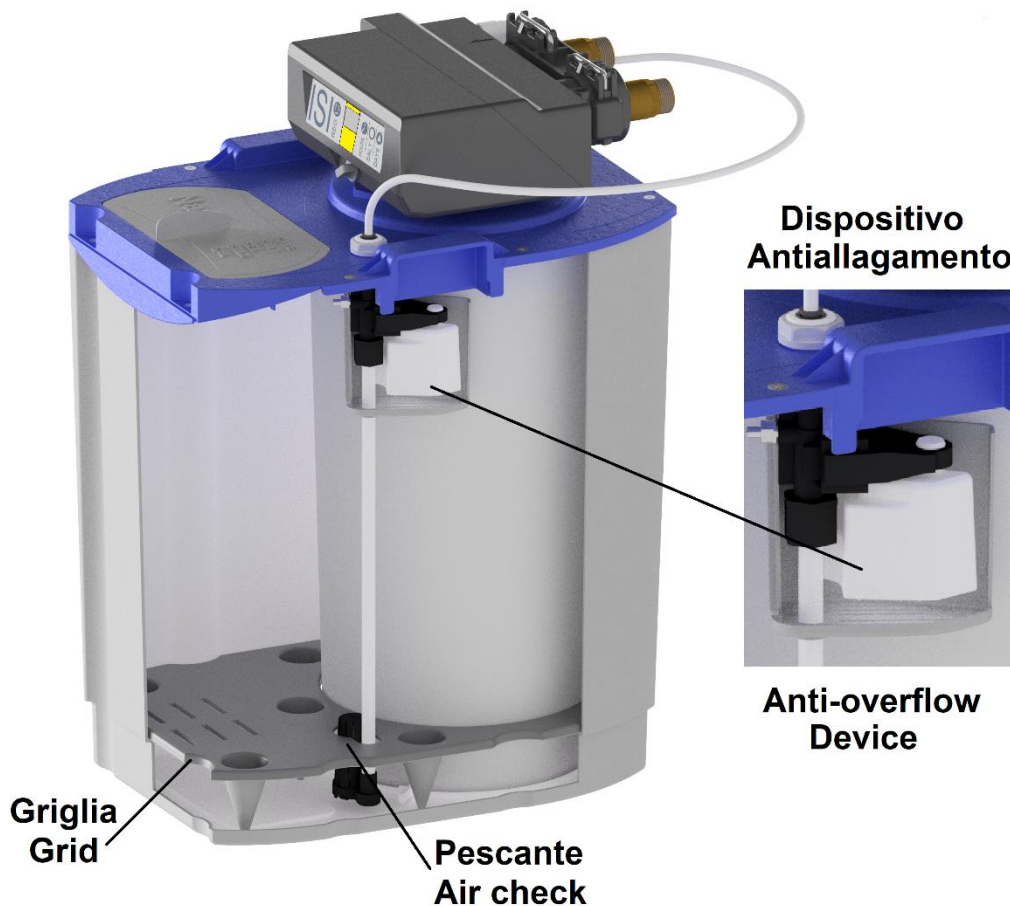
All the **ISI** water softeners series includes a grid inside the brine tank that allows the salt to dissolve more easily. The chlorine regeneration will be more efficient and water softener will supply more softened water.





## OPTIONAL KIT ANTI-OVERFLOW DEVICE

An anti-overflow kit is available for water softeners or a device that interrupts the excessive filling of the brine.

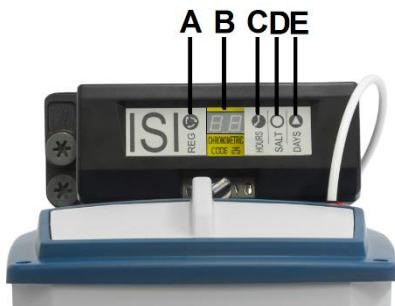


## SETTING

Every time you set the program or modify the information of the **ISI** water softener, you will be asked for the password.

Use of the password prevents an accidental change of data setting.

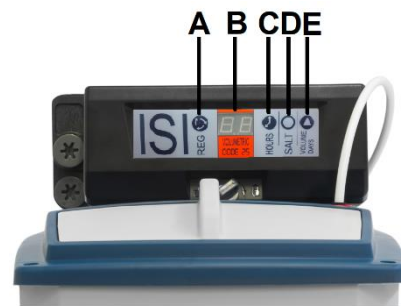
The **ISI** Series water softener can be set in a quick and simple way, thanks to three buttons allowing to select time (C), salt amount (D) and the lapse of time between a regeneration and the next (E) or the volume of water to be softened for the Volumetric version.



- A Avvio rigenerazione/Manual regeneration button
- B Display
- C Impostazione ora/Time setting
- D Dosaggio sale/Salt setting
- E Frequenza rigenerazione/Regeneration frequency

### Data required for Chronometric programming:

- the current time
- regeneration time
- dosage of salt
- the interval between a regeneration and the next



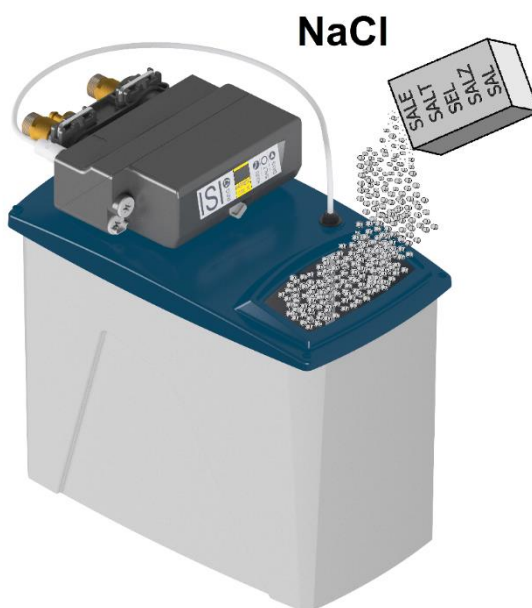
- A Avvio rigenerazione/Manual regeneration button
- B Display
- C Impostazione ora/Time setting
- D Dosaggio sale/Salt setting
- E Volume d'acqua/Water volume

### Data required for Volumetric programming:

- the current time
- regeneration time
- dosage of salt
- volume of water to softened
- forced regeneration

## FOR THE USER:

Maintenance for the user only consists in refilling the brine periodically with salt.



## AMOUNT OF SALT:

Chronometric Model		ISI5	ISI8	ISI12
Volumetric Model		ISI5V	ISI8V	ISI12
Salt of regeneration	Kg	0.6	1	1.5
Salt in the brine tank	Kg	10	20	25

## HYGIENIC SAFETY NORMS AND ICIM TESTING

This equipment has been tested by the ICIM Institute of Italian Certified for the Mechanic, licensed credited labora-tory, certificated to the compliance with:

- **Reg. n.1935/2004/CE** products and compenence contact with elements according to the dispositions MOCA.

It is **NECESSARY** to use original replacements for repairs and maintenance, to guarantee hygienic safety.



## ORDER CODE:

<b>ACS07A</b>	AUTOMATIC SOFTENER ISI5 3/4" G MIX R	Chronometric
<b>ACS08A</b>	AUTOMATIC SOFTENER ISI5 3/8" G MIX R	Chronometric
<b>ACS77A</b>	AUTOMATIC SOFTENER ISI5V 3/4" G MIX R	Volumetric
<b>ACS88A</b>	AUTOMATIC SOFTENER ISI5V 3/8" G MIX R	Volumetric

<b>AAS07A</b>	AUTOMATIC SOFTENER ISI8 3/4" G MIX R	Chronometric
<b>AAS08A</b>	AUTOMATIC SOFTENER ISI8 3/8" G MIX R	Chronometric
<b>AAS77A</b>	AUTOMATIC SOFTENER ISI8V 3/4" G MIX R	Volumetric
<b>AAS88A</b>	AUTOMATIC SOFTENER ISI8V 3/8" G MIX R	Volumetric

<b>ABS07A</b>	AUTOMATIC SOFTENER ISI12 3/4" G MIX R	Chronometric
<b>ABS08A</b>	AUTOMATIC SOFTENER ISI12 3/8" G MIX R	Chronometric
<b>ABS77A</b>	AUTOMATIC SOFTENER ISI12V 3/4" G MIX R	Volumetric
<b>ABS88A</b>	AUTOMATIC SOFTENER ISI12V 3/8" G MIX R	Volumetric



## ORDER CODE WITH OPTIONAL ANTI-OVERFLOW:

<b>ACS07AG</b>	AUTOMATIC SOFTENER ISI5 3/4" G MIX R NG	Chronometric
<b>ACS08AG</b>	AUTOMATIC SOFTENER ISI5 3/8" G MIX R NG	Chronometric
<b>ACS77AG</b>	AUTOMATIC SOFTENER ISI5V 3/4" G MIX R NG	Volumetric
<b>ACS88AG</b>	AUTOMATIC SOFTENER ISI5V 3/8" G MIX R NG	Volumetric

<b>AAS07AG</b>	AUTOMATIC SOFTENER ISI8 3/4" G MIX R NG	Chronometric
<b>AAS08AG</b>	AUTOMATIC SOFTENER ISI8 3/8" G MIX R NG	Chronometric
<b>AAS77AG</b>	AUTOMATIC SOFTENER ISI8V 3/4" G MIX R NG	Volumetric
<b>AAS88AG</b>	AUTOMATIC SOFTENER ISI8V 3/8" G MIX R NG	Volumetric

<b>ABS07AG</b>	AUTOMATIC SOFTENER ISI12 3/4" G MIX R NG	Chronometric
<b>ABS08AG</b>	AUTOMATIC SOFTENER ISI12 3/8" G MIX R NG	Chronometric
<b>ABS77AG</b>	AUTOMATIC SOFTENER ISI12V 3/4" G MIX R NG	Volumetric
<b>ABS88AG</b>	AUTOMATIC SOFTENER ISI12V 3/8" G MIX R NG	Volumetric

